

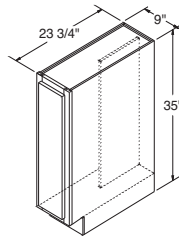
**NOTES** ✓

- ▶ B09 has one door and one built-in tray divider. Nantucket and Grayson B09 cabinet doors utilize recessed center panels.
- See page 10 for butt door style availability chart.

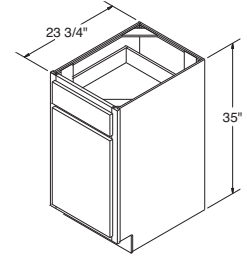
## Base Cabinets, 35" High, 23<sup>3</sup>/<sub>4</sub>" Deep

### Base Single Door

**B09**

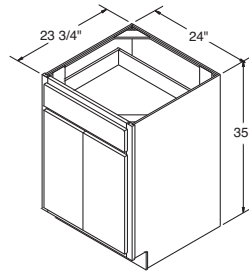


- B12** FX
- B15** FX
- B18** FX
- B21** FX
- B24** FX

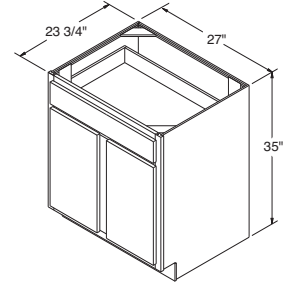


### Base Double Door

**B24DD** FX

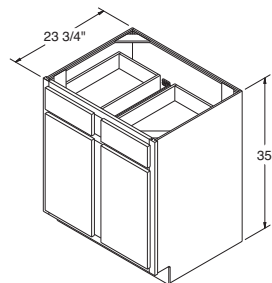


**B27** FX

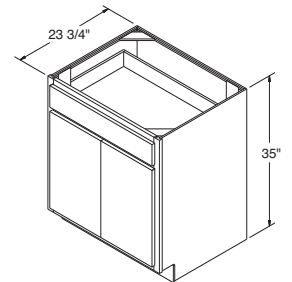


### Base Double Door

- B30** FX
- B33** FX
- B36** FX
- B39** FX
- B42** FX
- B45** FX
- B48** FX

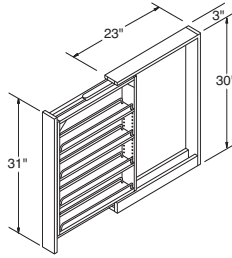


- B27B** FX ■ *New*
- B30B** FX ■ *New*
- B33B** FX ■ *New*
- B36B** FX ■ *New*

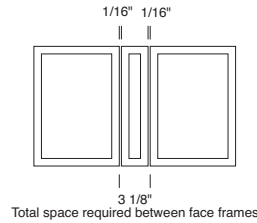


**Base Filler Pullout Cabinet, 30" High, 3" Wide, 23" Deep**

**BFP03\***



\* In order to allow sufficient clearance, cabinet requires 3 1/8" space between adjacent cabinet face frames. Spacers included for proper installation.



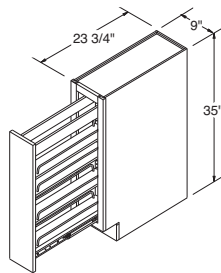
**NOTES** ✓

- ▶ Features a wood pullout unit with adjustable shelves, chrome rail sides, and Full Extension guides. Filler included, must be attached in the field.
- ▶ Recommend installation between two cabinets. Can be installed on the end of a run by using a 3/4" Refrigerator End Panel.
- ▶ Can be used with Split Turnings, Fluted Fillers, and Overlays.



**Base Pantry Pullout Cabinet, 35" High, 9" Wide, 23 3/4" Deep**

**BPP09**



**NOTES** ✓

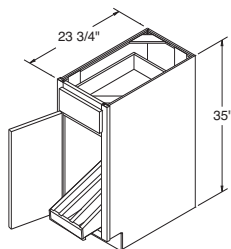
- ▶ Features a wood pullout unit with adjustable shelves, chrome rail sides, and Full Extension guides.
- ▶ Nantucket and Grayson BPP09 cabinet doors utilize recessed center panels.



**Base Cabinet with Roll Out Tray Divider, 35" High, 12" Wide, 23 3/4" Deep**

Base Single Door

**B12TDRO** FX



**NOTES** ✓

- ▶ Natural finish wood tray divider has three compartments with removable dividers. Divider operates on side-mount guides.



**NOTES** ✓

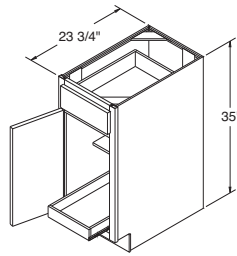
- ▶ All Roll Tray cabinets include one half-depth fixed 1/2" thick shelf.
  - ▶ Roll Trays feature 1/2" thick solid wood front and furniture board sides and back.
  - ▶ Additional Roll Trays on page 189 may be ordered separately (TKIT).
  - ▶ For Roll Tray Bumper Pads, please refer to page 190.
- See page 10 for butt door style availability chart.



## Base Cabinets with Roll Tray, 35" High, 23 3/4" Deep

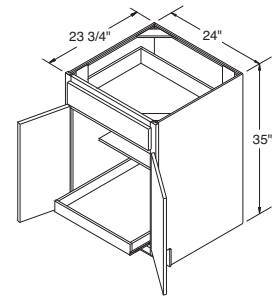
Base Single Door

- B15RT** FX
- B18RT** FX
- B21RT** FX
- B24RT** FX



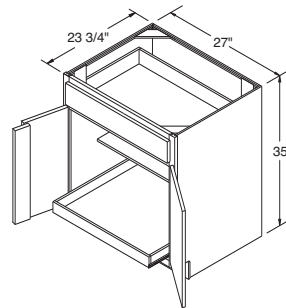
Base Double Door

- B24DDRT** FX

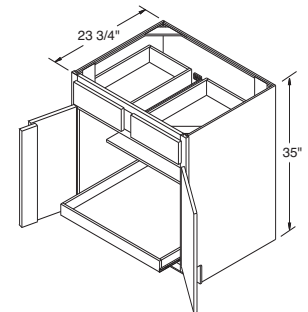


Base Double Door

- B27RT** FX

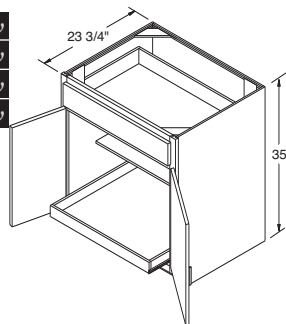


- B30RT** FX
- B33RT** FX
- B36RT** FX

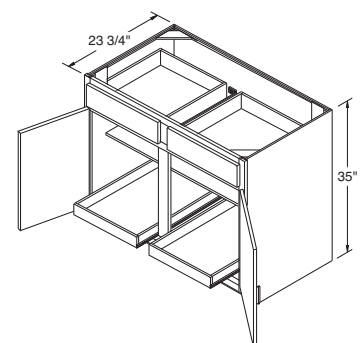


Base Double Door

- B27RTB** FX ■ *New*
- B30RTB** FX ■ *New*
- B33RTB** FX ■ *New*
- B36RTB** FX ■ *New*



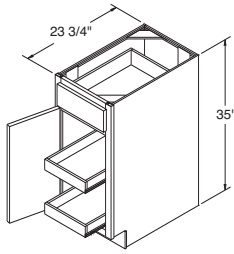
- B39RT** FX
- B42RT** FX
- B45RT** FX
- B48RT** FX



Base Cabinets with Double Roll Trays, 35" High, 23<sup>3</sup>/<sub>4</sub>" Deep

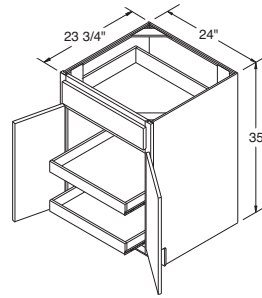
Base Single Door

- B15RT-2** FX
- B18RT-2** FX
- B21RT-2** FX
- B24RT-2** FX



Base Double Door

- B24DDRT-2** FX



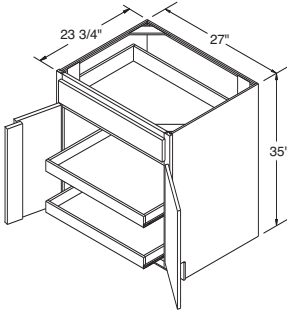
**NOTES** ✓

- ▶ Roll Trays feature 1/2" thick solid wood front and furniture board sides and back.
- ▶ Additional Roll Trays on page 189 may be ordered separately (TKIT).
- ▶ For Roll Tray Bumper Pads, please refer to page 190.
- See page 10 for butt door style availability chart.

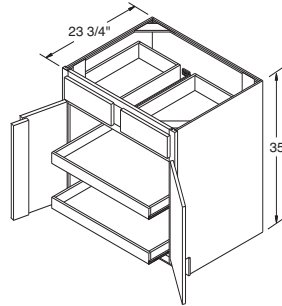


Base Double Door

- B27RT-2** FX

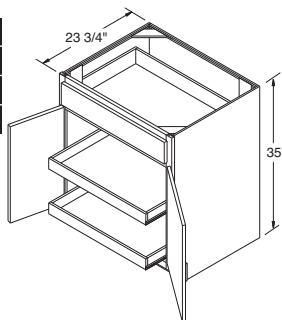


- B30RT-2** FX
- B33RT-2** FX
- B36RT-2** FX

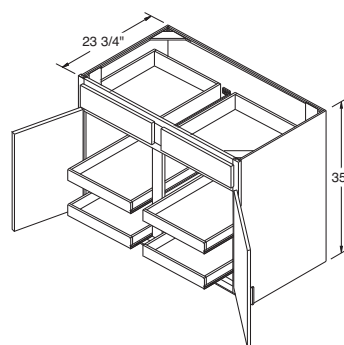


Base Double Door

- B27RT-2B** FX ■ *New*
- B30RT-2B** FX ■ *New*
- B33RT-2B** FX ■ *New*
- B36RT-2B** FX ■ *New*



- B39RT-2** FX
- B42RT-2** FX
- B45RT-2** FX
- B48RT-2** FX



**NOTES** ✓

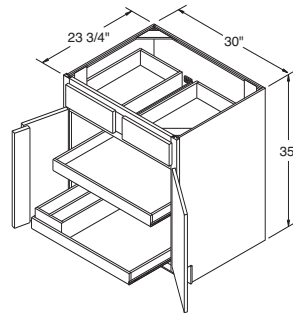
- ▶ Includes removable Pots and Pans Lid Organizer. Lid Organizer is attached to the Roll Tray with two screws for shipping purposes only. Screws should be removed during installation to make the Lid Organizer mobile.
- ▶ Additional Roll Trays on page 189 may be ordered separately (TKIT).
- ▶ For Roll Tray Bumper Pads, please refer to page 190.
- See page 10 for butt door style availability chart.



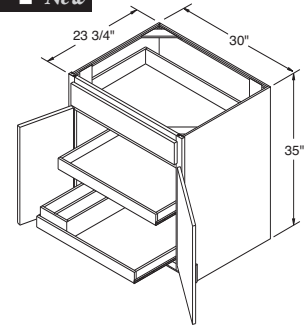
## Base Cabinets with Double Roll Trays & Lid Organizer, 35" High, 30" Wide, 23<sup>3</sup>/<sub>4</sub>" Deep

Base Double Door

**B30RT-2LO** <sup>FX</sup>



**B30RT-2LOB** <sup>FX</sup> ■ *New*

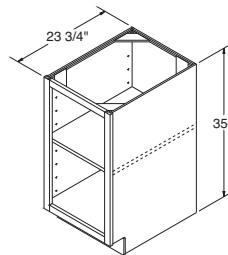


**NOTES** ✓

- ▶ Cabinets include matching Aristex® interior.
- ▶ Includes one 3/4" thick full-depth adjustable shelf.

## Base Open Cabinets, 35" High, 23<sup>3</sup>/<sub>4</sub>" Deep

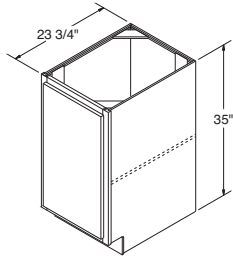
**BOL15**  
**BOL18**  
**BOL21**



### Base Cabinets with Full Height Doors, 35" High, 23 3/4" Deep

Base Single Door

**B12FH** *New*  
**B15FH**  
**B18FH**  
**B21FH**  
**B24FH**

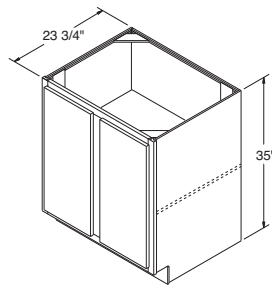


**NOTES** ✓

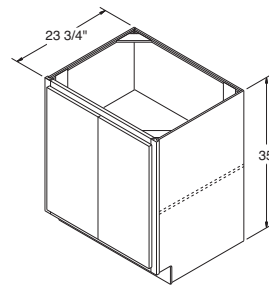
- ▶ Includes one 3/4" full-depth adjustable shelf.
- See page 10 for butt door style availability chart.

Base Double Door

**B30FH**  
**B36FH**



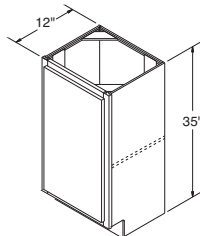
**B30FHB** ■ *New*  
**B36FHB** ■ *New*



### Base Cabinets with Full Height Doors, 35" High, 12" Deep

Base Single Door

**B12FH-12** *New*  
**B15FH-12**  
**B18FH-12**  
**B21FH-12**  
**B24FH-12**



**NOTES** ✓

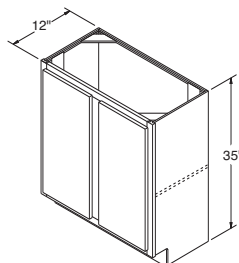
- ▶ Includes one 3/4" full-depth adjustable shelf.
- ▶ Use with BEC12 (page 104) to transition from standard 23 3/4" depth to 12" depth.
- See page 10 for butt door style availability chart.

**DESIGN SOLUTIONS**

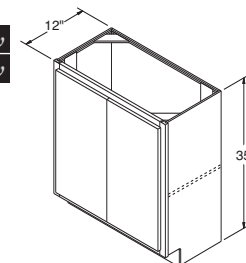
- ▶ Use in designs to create varying depths in kitchens, islands, hutches, bookcases, offices, and bathrooms.

Base Double Door

**B30FH-12**  
**B36FH-12**



**B30FH-12B** ■ *New*  
**B36FH-12B** ■ *New*



**NOTES** ✓

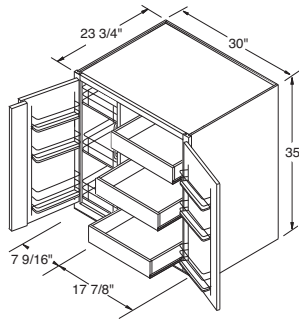
- ▶ SuperCabinet™ doors open 170° to allow sufficient pullout clearance. When installing a SuperCabinet™ near a wall or corner, please allow 12" of adjacent space for proper operation of interior pullouts.
- ▶ Roll Trays are solid wood dovetail boxes with Full Extension side-mounted guides.
- ▶ Both doors will have a chrome and wood three-tiered rack that is 3 1/4" deep.
- ▶ Includes cabinet top.
- See page 10 for butt door style availability chart.



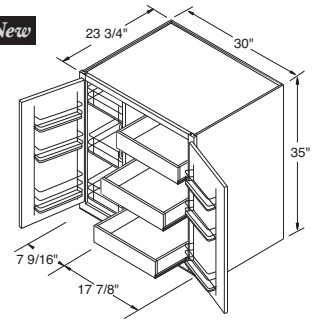
## Base SuperCabinets™, 35" High, 30" Wide, 23 3/4" Deep (Pullout/Roll Out)

Base Double Door

**BSC30PR**



**BSC30PRB** ■ *New*



**NOTES** ✓

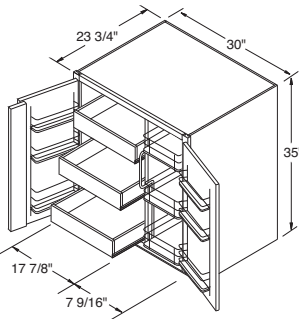
- ▶ SuperCabinet™ doors open 170° to allow sufficient pullout clearance. When installing a SuperCabinet™ near a wall or corner, please allow 12" of adjacent space for proper operation of interior pullouts.
- ▶ Roll Trays are solid wood dovetail boxes with Full Extension side-mounted guides.
- ▶ Both doors will have a chrome and wood three-tiered rack that is 3 1/4" deep.
- ▶ Includes cabinet top.
- See page 10 for butt door style availability chart.



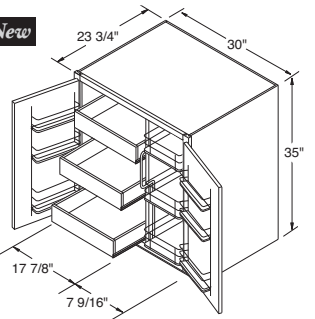
## Base SuperCabinets™, 35" High, 30" Wide, 23 3/4" Deep (Roll Out/Pullout)

Base Double Door

**BSC30RP**



**BSC30RPB** ■ *New*



**NOTES** ✓

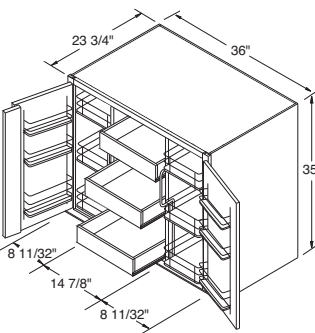
- ▶ SuperCabinet™ doors open 170° to allow sufficient pullout clearance. When installing a SuperCabinet™ near a wall or corner, please allow 12" of adjacent space for proper operation of interior pullouts.
- ▶ Roll Trays are solid wood dovetail boxes with Full Extension side-mounted guides.
- ▶ Both doors will have a chrome and wood three-tiered rack that is 3 1/4" deep.
- ▶ Includes cabinet top.
- See page 10 for butt door style availability chart.



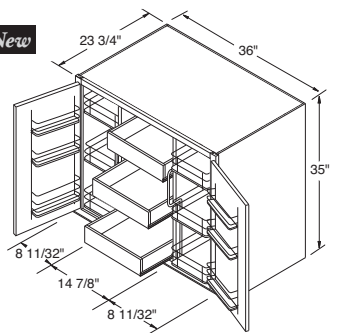
## Base SuperCabinets™, 35" High, 36" Wide, 23 3/4" Deep (Pullout/Roll Out/Pullout)

Base Double Door

**BSC36PRP**



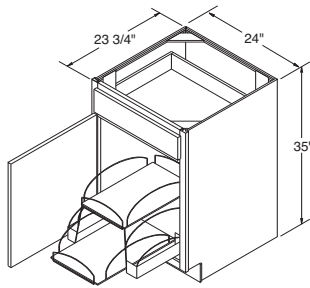
**BSC36PRPB** ■ *New*



**Base Pots and Pans Pullout, 35" High, 24" Wide, 23<sup>3</sup>/<sub>4</sub>" Deep**

Base Single Door

**BPPP24** <sup>FX</sup>



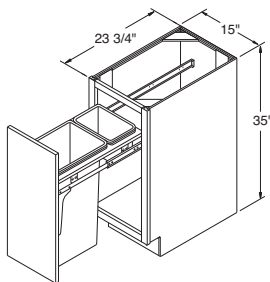
**NOTES** ✓

Full Extension slide out shelves pull out independently.



**Base Wastebasket with Full Height Door, 35" High, 23<sup>3</sup>/<sub>4</sub>" Deep**

**BWB15FH**



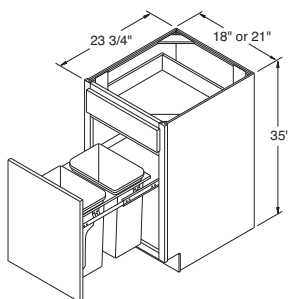
**NOTES** ✓

▶ BWB15FH has one 50-quart wastebasket and small storage tray on Full Extension guides.



**Base Wastebaskets, 35" High, 23<sup>3</sup>/<sub>4</sub>" Deep**

**BWB18** <sup>FX</sup>  
**BWB21** <sup>FX</sup>



**NOTES** ✓

▶ BWB18 and BWB21 have two 35-quart pullout wastebaskets on Full Extension guides.



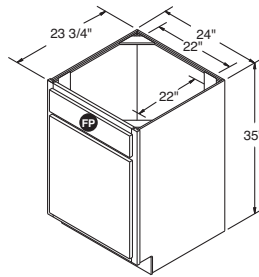
**NOTES** ✓

- ▶ FP = False Panel.
- ▶ It may be necessary to modify the corner braces/stretcher rails with some sink applications.
- ▶ Shelves not included.
- ▶ Front-Onlys are not available in Sink Bases.
- See page 10 for butt door style availability chart.

## Sink/Range Bases, 35" High, 23<sup>3</sup>/<sub>4</sub>" Deep

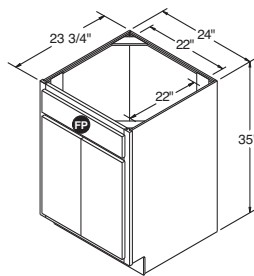
Base Single Door

**SB24**

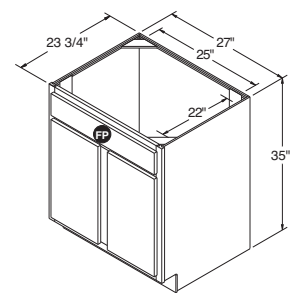


Base Double Door

**SB24DD**

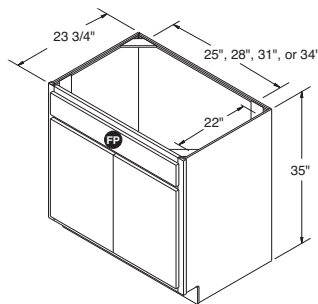


**SB27**

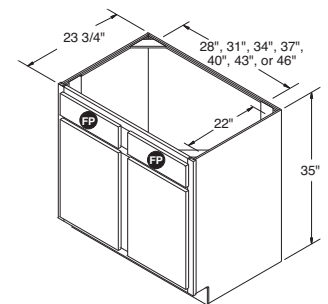


Base Double Door

- SB27B** ■ *New*
- SB30B** ■ *New*
- SB33B** ■ *New*
- SB36B** ■ *New*

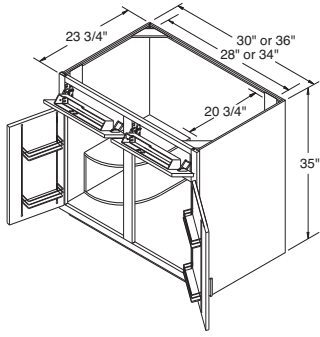


- SB30**
- SB33**
- SB36**
- SB39**
- SB42**
- SB45**
- SB48**

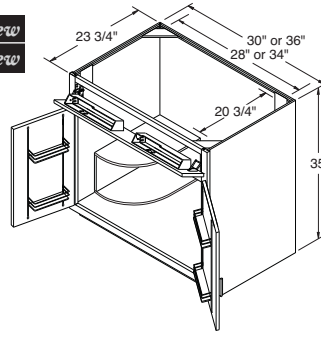


Sink Base SuperCabinets™, 35" High, 23 3/4" Deep

**SB30STS**  
**SB36STS**



**SB30STSB** ■ *New*  
**SB36STSB** ■ *New*



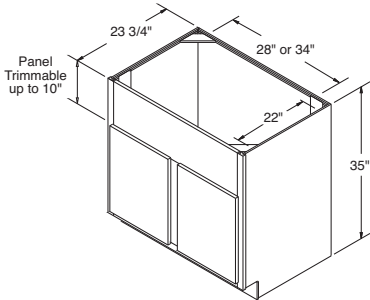
**NOTES** ✓

- ▶ Reversible Shelf is constructed from 3/4" thick laminated furniture board. Shelf shipped secure, can be positioned in left or right corner.
- ▶ Both doors will have a chrome and wood two-tiered rack that is 3 1/4" deep.
- ▶ Includes two installed tip-out trays.
- ▶ Quarter round shelf will be natural maple laminate for all styles, including White styles.
- See page 10 for butt door style availability chart.

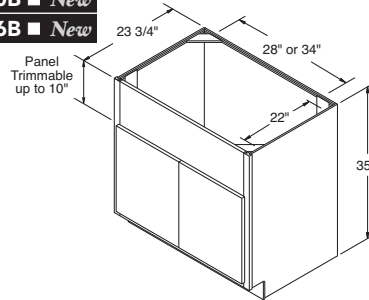


Country Sink Bases, 35" High, 23 3/4" Deep

**CNTYSB30**  
**CNTYSB36**



**CNTYSB30B** ■ *New*  
**CNTYSB36B** ■ *New*

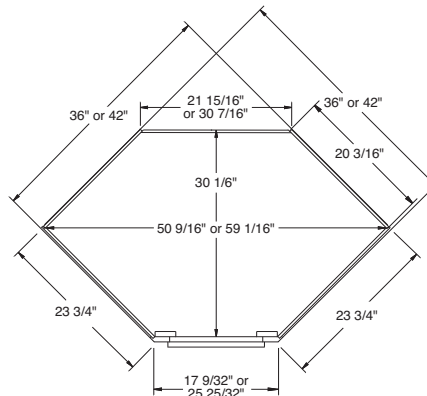
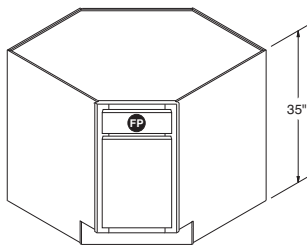


**NOTES** ✓

- ▶ It may be necessary to modify the corner braces/stretcher rails with some sink applications.
- See page 10 for butt door style availability chart.

Sink Base Diagonal Corner Cabinets, 35" High, 23 3/4" Deep

**SBDC36**  
**SBDC42**



TOP VIEW

	Wall Width	Frame	Max Sink Width
SBDC36	36" x 36"	17 5/16"	25 3/4"
SBDC42	42" x 42"	25 13/16"	34 1/4"

**NOTES** ✓

- ▶ FP = False Panel.
- ▶ For sufficient dishwasher door clearance and loading/unloading space, a 15" wide base cabinet is recommended for use between sink base diagonal corner cabinet and dishwasher.

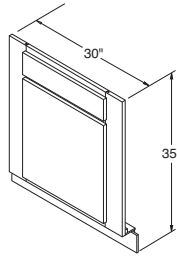
**NOTES** ✓

- ▶ Sink Base floor included with all units.
- ▶ Trimmable 3" each side on partial overlay styles. Not trimmable on full overlay styles.
- See page 10 for butt door style availability chart.

Sink/Range Fronts, 35" High

Base Single Door

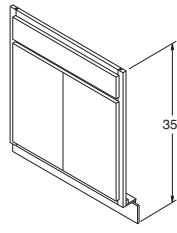
**SF30**



PARTIAL OVERLAY

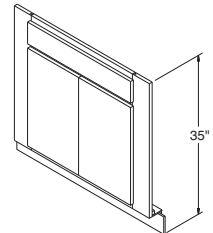
Base Double Door

**SF30B** ■ *New*  
**SF36B** ■ *New*



FULL OVERLAY

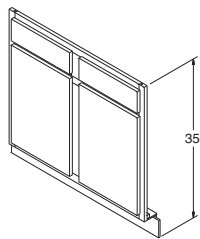
**SF36B** ■ *New*  
**SF42B** ■ *New*



PARTIAL OVERLAY

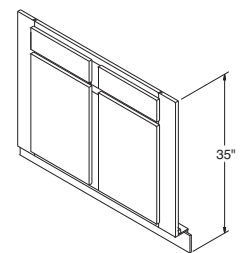
Base Double Door

**SF30**  
**SF42**  
**SF48**



FULL OVERLAY

**SF36**  
**SF42**  
**SF48**

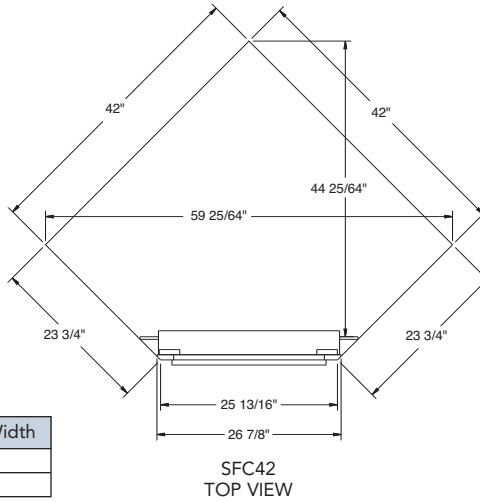
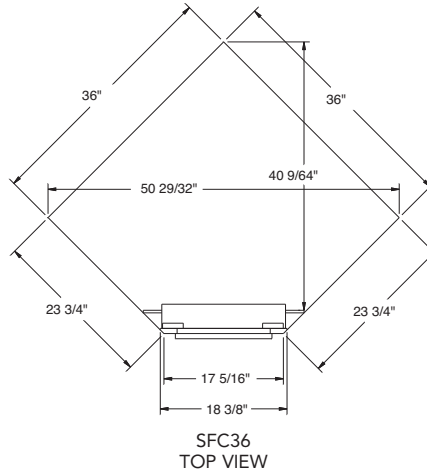
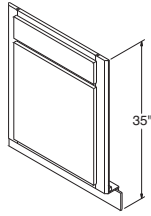


PARTIAL OVERLAY

## Sink Front Corners, 35" High

Base Single Door

**SFC36**  
**SFC42**



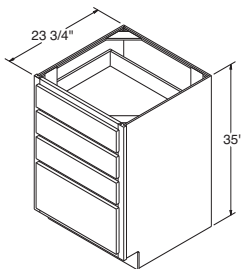
	Wall Width	Frame	Max Sink Width
SFC36	36 1/2" x 36 1/2"	17 5/16"	25 3/4"
SFC42	42 1/2" x 42 1/2"	25 13/16"	34 1/4"

**NOTES** ✓

- ▶ Sink Base floor included with all units.
- ▶ Toekick is not attached, ships loose.
- ▶ For sufficient dishwasher door clearance and loading/unloading space, a 15" wide base cabinet is recommended for use between sink front corner and dishwasher.
- ▶ Floor dimensions:  
SFC36 – 3/8" x 36" x 36".  
SFC42 – 3/8" x 42" x 42".

## Four Drawer Bases, 35" High, 23 3/4" Deep

**DB12-4** <sup>FX</sup>  
**DB15-4** <sup>FX</sup>  
**DB18-4** <sup>FX</sup>  
**DB21-4** <sup>FX</sup>  
**DB24-4** <sup>FX</sup>  
**DB27-4** <sup>FX</sup> *New*  
**DB30-4** <sup>FX</sup> \* *New*  
**DB33-4** <sup>FX</sup> \* *New*  
**DB36-4** <sup>FX</sup> \* *New*



**NOTES** ✓

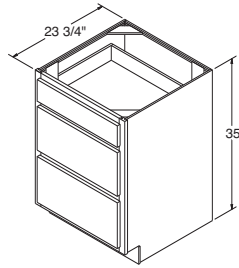
- ▶ Removable plastic Cutlery Tray included in top drawer of DB15-4 to DB24-4.
- ▶ DB36-4 is recommended for use with Pegged Dish Organizer (PDO) on page 183. PDO can also be trimmed to fit smaller widths.
- ▶ **Standard** construction features side-mount Full Extension guides on bottom drawer. Does not feature Smart Stop™.
- ▶ **Select** construction and **APC** feature undermount Full Extension Smart Stop™ guides on bottom drawer.
- ▶ **FX upgrade** features undermount Full Extension Smart Stop™ guides on all four drawers.

**NOTES** ✓

- ▶ Removable plastic Cutlery Tray included in top drawer of DB15 to DB24.
- ▶ DB36 is recommended for use with Pegged Dish Organizer (PDO) on page 183. PDO can also be trimmed to fit smaller widths.
- ★**Standard** construction features side-mount Full Extension guides on bottom two drawers. Does not feature Smart Stop™.
- Select** construction and **APC** feature undermount Full Extension guides on bottom two drawers.
- FX upgrade** features undermount Full Extension guides on all three drawers.

Three Drawer Bases, 35" High, 23 3/4" Deep

- DB12 FX
- DB15 FX
- DB18 FX
- DB21 FX
- DB24 FX
- DB27 FX *New*
- DB30 FX ★*New*
- DB33 FX ★*New*
- DB36 FX ★*New*



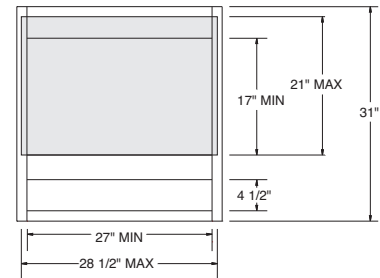
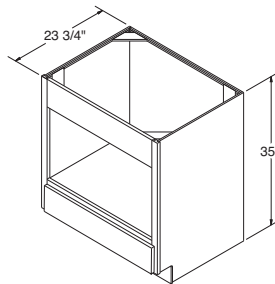
**NOTES** ✓

- ▶ Microwave opening is trimmable.
- ▶ Minimum opening – 27" W x 17" H.
- ▶ Maximum opening – 28 1/2" W x 21" H.
- ▶ Designed for Built-in Microwaves with trim kits (cabinet has standard Aristex® natural maple or white interior).



Base Built-In Microwave Cabinet, 35" High, 23 3/4" Deep

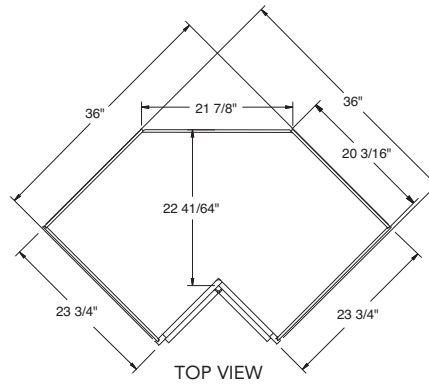
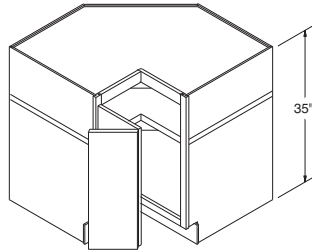
BMW3035 FX



TRIM AREA

Square Corner/Base Roto Easy Reach Cabinets, 35" High, 23<sup>3</sup>/<sub>4</sub>" Deep

**SCER36 \***



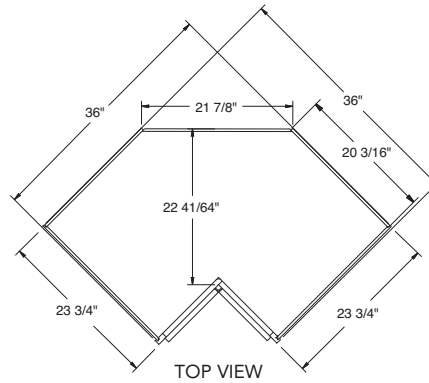
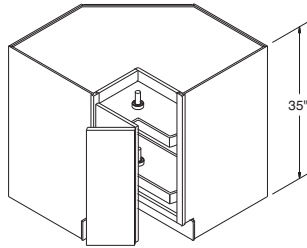
**NOTES** ✓

- ▶ One piano-hinged door.
- ▶ Includes magnetic catch.
- ▶ Cannot convert SCER36 to BRER.
- ▶ BRER36 includes two 28" diameter rotating plastic white trays. Each tray has a 60 lb. load capacity.
- ▶ BRER: WARNING! The rotating trays in this cabinet are pre-installed and cannot be removed or replaced. Do not stand on, or apply excessive pressure that could cause a tray to crack or break.
- ▶ Decorative hardware must be countersunk to prevent scratching of adjacent cabinets and face frame of SCER/BRER.

\*Specify L or R for full overlay styles.

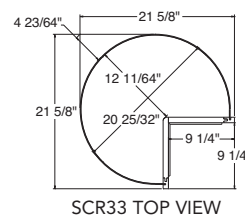
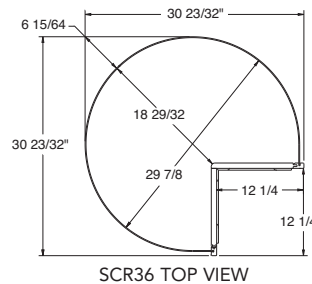
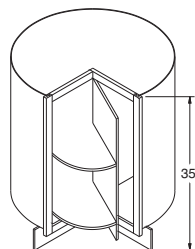


**BRER36 \***



Square Corner Rotos, 35" High

**SCR33**  
**SCR36**



**NOTES** ✓

- ▶ One rotating door.
- ▶ Two rotating white shelves.
- ▶ Nominal gap of 1/4" on all sides of door.
- ▶ SCR33 has 17" diameter shelf and holds 20 lbs. per shelf.
- ▶ SCR36 has 27" diameter shelf and holds 60 lbs. per shelf.



**NOTES** ✓

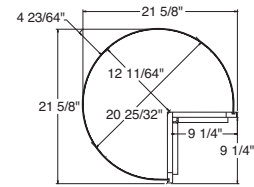
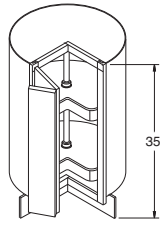
- ▶ One piano-hinged door.
- ▶ Includes magnetic catch.
- ▶ BLS33 has two 17" diameter rotating plastic white shelves that hold 20 lbs. per shelf.
- ▶ BLS36 has two 27" diameter rotating plastic white shelves that hold 60 lbs. per shelf.
- ▶ Grayson and Nantucket BLS33 doors utilize recessed center panels.

★Specify L or R for full overlay styles.



## Base Lazy Susans, 35" High

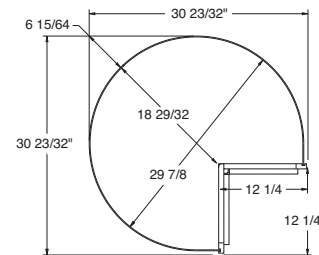
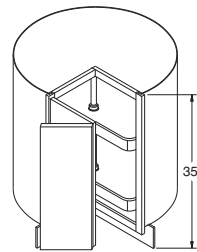
**BLS33 ★**



BLS33 TOP VIEW

## Base Double Door

**BLS36 ★**



BLS36 TOP VIEW

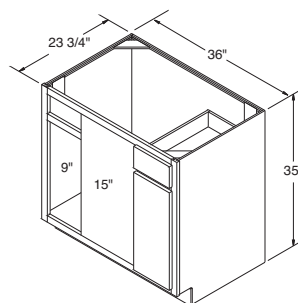
**NOTES** ✓

- ▶ One door and one drawer.
- ▶ Half-depth fixed shelf included.
- ▶ All Square Corner Base cabinets are reversible from left blind to right blind.
- ▶ 3" Filler is included with all Square Corner Base cabinets and shipped under Toekick or in cabinet. Briarcliff, Dryden, Durham, Eastland, Monroe, Nantucket, and Wentworth styles come with F331 and OL31.
- ▶ To ensure proper door/drawer clearance, we recommend you do not install appliances next to the blind.
- ▶ Cover panel included for field installation to cover blind opening.



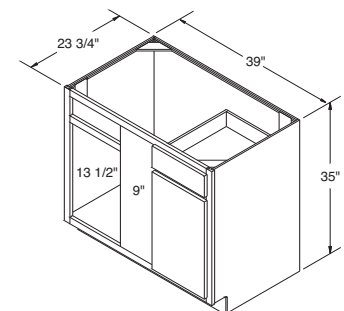
## Square Corner Bases, 35" High, 23 3/4" Deep

**SCB36 FX**



SCB36

**SCB39 FX**

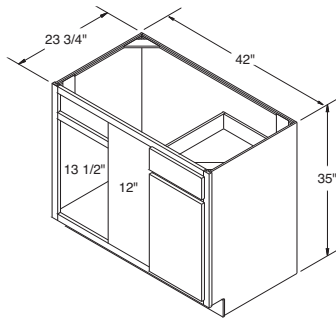


SCB39

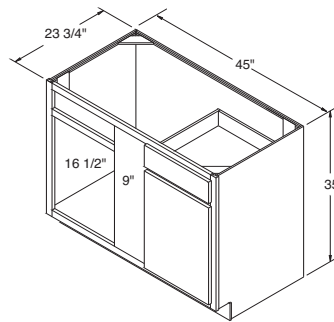
Continued on next page.

Square Corner Bases, 35" High, 23 3/4" Deep (continued)

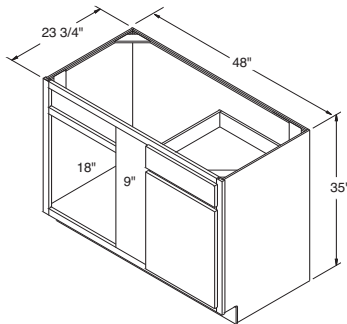
**SCB42** FX



**SCB45** FX



**SCB48** FX



**NOTES** ✓

- ▶ One door and one drawer.
- ▶ Half-depth fixed shelf included.
- ▶ All Square Corner Base cabinets are reversible from left blind to right blind.
- ▶ 3" Filler is included with all Square Corner Base cabinets and shipped under Toekick or in cabinet. Briarcliff, Dryden, Durham, Eastland, Monroe, Nantucket, and Wentworth styles come with F331 and OL31.
- ▶ To ensure proper door/drawer clearance, we recommend you do not install appliances next to the blind.
- ▶ Cover panel included for field installation to cover blind opening.



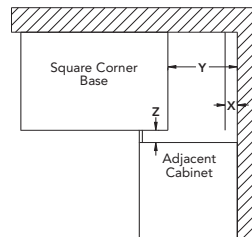
Square Corner Base Cabinet Information

Full Overlay Styles	X		Y	Z	
	Min. Pull	Min. Pull w/Hardware	Max. Pull	Min. Filler Required	Min. Filler Required w/Hardware
<b>SCB36</b>	3/4"	2 1/4"	12 1/2"	1"	2 1/2"
<b>SCB39</b>	2 1/4"	3 3/4"	8"	1"	2 1/2"
<b>SCB42</b>	0"	3/4"	8"	1"	2 1/2"
<b>SCB45</b>	0"	3/4"	5"	1"	2 1/2"
<b>SCB48</b>	0"	0"	3 1/2"	1"	2 1/2"

7/16" Overlay Styles	X		Y	Z	
	Min. Pull	Min. Pull w/Hardware	Max. Pull	Min. Filler Required	Min. Filler Required w/Hardware
<b>SCB36</b>	1/4"	1 3/4"	12 1/2"	1/2"	2"
<b>SCB39</b>	1 3/4"	3 1/4"	8"	1/2"	2"
<b>SCB42</b>	0"	1/4"	8"	1/2"	2"
<b>SCB45</b>	0"	1/4"	5"	1/2"	2"
<b>SCB48</b>	0"	0"	3 1/2"	1/2"	2"

**KEY**

- X: Minimum pull for Square Corner cabinets.
- Y: Maximum pull for Square Corner cabinets.
- Z: Minimum filler size required between cabinets.
- ▶ Minimum pull figured when Square Corner Base or adjacent cabinet doors can open 90 degrees.



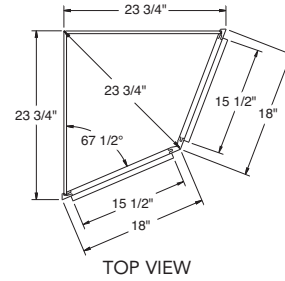
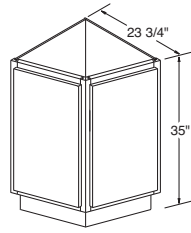
**NOTES** ✓

- ▶ Two doors.
- ▶ One fixed shelf.
- ▶ Not designed for stand alone island applications.
- ▶ Standard and Select have laminate, non-matching sides.
- ▶ APC sides are unfinished.



Base End Cabinet, 35" High, 23 3/4" Deep

**BECF24**



TOP VIEW

BASE CABINETS

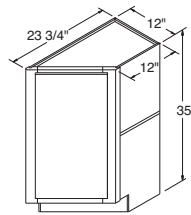
**NOTES** ✓

- ▶ Includes one 12" deep fixed shelf.
- ▶ 23 3/4" side is unfinished in APC only.
- ▶ \*L or R designation specifies 12" deep side and door hinging.



Base End Cabinet, 35" High, 12" Wide, 23 3/4" Deep

**BEC12 \***



BEC12R  
TOP VIEW



BEC12L  
TOP VIEW

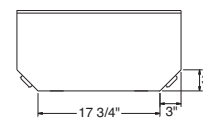
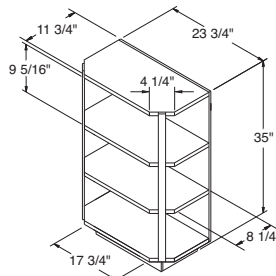
**NOTES** ✓

- ▶ Cabinet includes matching Aristex® interior.
- ▶ When supports are used in the front of the OEB2435, the width increases to 12".
- ▶ Ships unassembled.
- ▶ Finished on top.
- ▶ Order under common style number, not door style number.



Open End Base Cabinet, 35" High, 11 3/4" Wide, 23 3/4" Deep

**OEB2435**

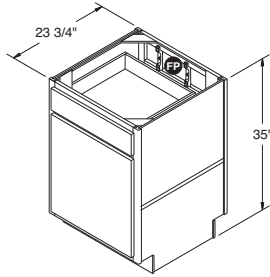


TOP VIEW

Peninsula Base Cabinets, 35" High, 23 3/4" Deep

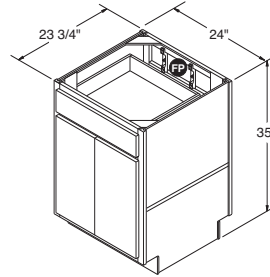
Base Single Door

**PB18** FX  
**PB24** FX



Base Double Door

**PB24DD** FX

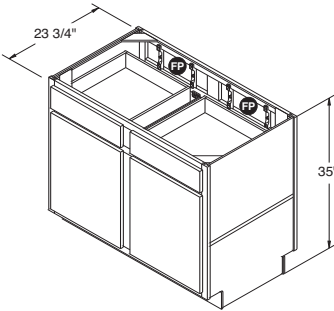


**NOTES** ✓

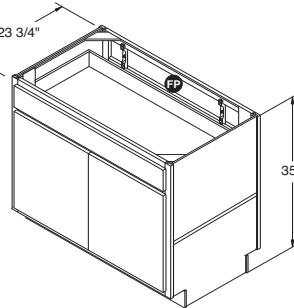
- ▶ Reversible units with one full-depth fixed shelf.
  - ▶ Peninsula cabinets not designed to be used as stand alone island cabinets.
  - ▶ PB18 and PB24 have two doors, one drawer, and one drawer front.
  - ▶ PB24DD has four doors, one drawer, and one drawer front.
  - ▶ PB30–PB48 have four doors, two drawers, and two drawer fronts.
  - ▶ PB30B–PB36B have four doors (two sets of butt doors), one drawer, and one drawer front.
- See page 10 for butt door style availability chart.

Base Double Door

**PB30** FX  
**PB36** FX  
**PB42** FX  
**PB48** FX



**PB30B** FX ■ *New*  
**PB36B** FX ■ *New*



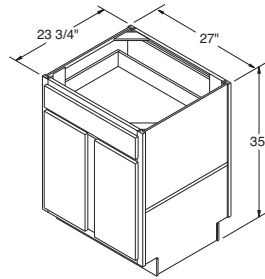
**NOTES** ✓

- ▶ 3" Filler included.
- ▶ Reversible unit with one fixed full-depth shelf.
- ▶ Peninsula cabinets not designed to be used as stand alone island cabinets.
- ▶ Cover panel included for field installation.
- See page 10 for butt door style availability chart.

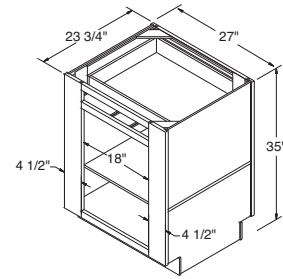
## Peninsula Base Square Corner Cabinets, 35" High, 23<sup>3</sup>/<sub>4</sub>" Deep

Base Double Door

**PBSC27** <sup>FX</sup>



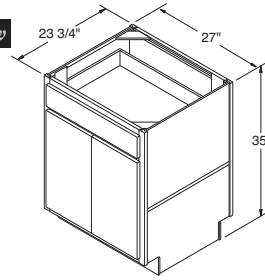
BACK VIEW



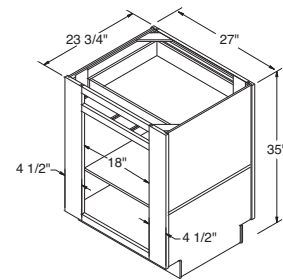
FRONT VIEW

Base Double Door

**PBSC27B** <sup>FX</sup> ■ *New*



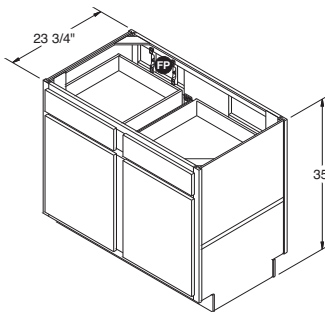
BACK VIEW



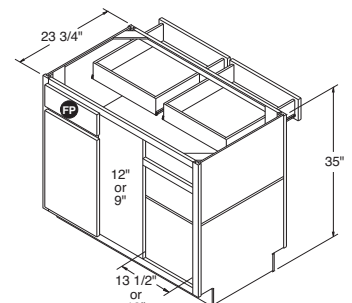
FRONT VIEW

Base Double Door

**PBSC42** <sup>FX</sup>  
**PBSC48** <sup>FX</sup>



BACK VIEW

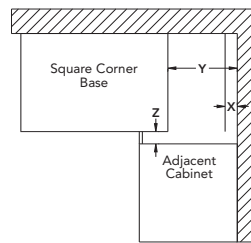


FRONT VIEW

## Square Corner Base Cabinet Information

Full Overlay Styles	X		Y	Z	
	Min. Pull	Min. Pull w/Hardware	Max. Pull	Min. Filler Required	Min. Filler Required w/Hardware
<b>PBSC27</b>	0"	0"	1/2"	1"	2 1/2"
<b>PBSC42</b>	0"	3/4"	8"	1"	2 1/2"
<b>PBSC48</b>	0"	0"	3 1/2"	1"	2 1/2"

7/16" Overlay Styles	X		Y	Z	
	Min. Pull	Min. Pull w/Hardware	Max. Pull	Min. Filler Required	Min. Filler Required w/Hardware
<b>PBSC27</b>	0"	0"	1/2"	1/2"	2"
<b>PBSC42</b>	0"	1/4"	8"	1/2"	2"
<b>PBSC48</b>	0"	0"	3 1/2"	1/2"	2"



**KEY**

X: Minimum pull for Square Corner cabinets.

Y: Maximum pull for Square Corner cabinets.

Z: Minimum filler size required between cabinets.

► Minimum pull figured when Square Corner Base or adjacent cabinet doors can open 90 degrees.