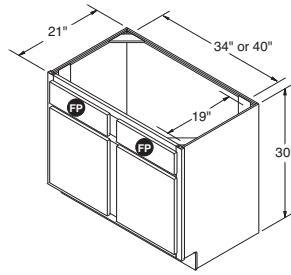


NOTES ✓

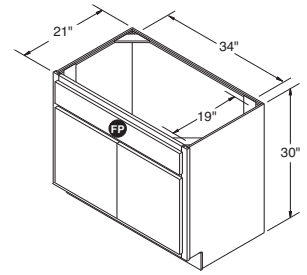
- ▶ FP = False Panel.
- ▶ It may be necessary to modify the corner braces/stretcher rails with some sink applications.
- See page 10 for butt door style availability chart.

Vanity Console Bases, 30" High, 21" Deep

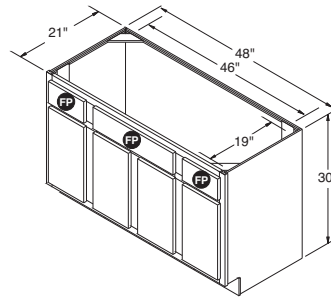
VCB36
VCB42



VCB36B ■ *New*

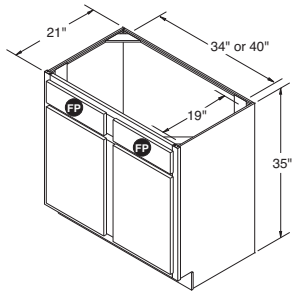


VCB48

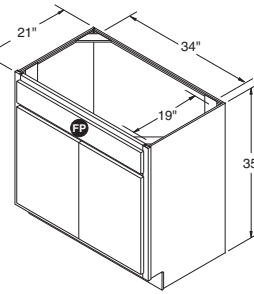


Vanity Console Bases, 35" High, 21" Deep

VCB3635
VCB4235



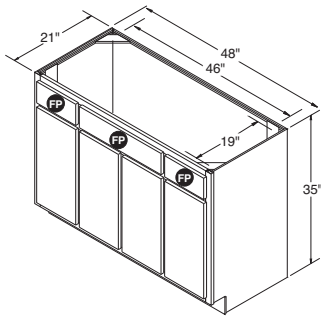
VCB3635B ■ *New*



NOTES ✓

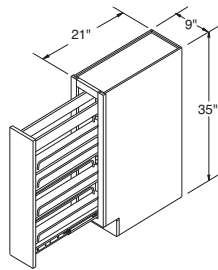
- ▶ FP = False Panel.
- ▶ It may be necessary to modify the corner braces/stretcher rails with some sink applications.
- See page 10 for butt door style availability chart.

VCB4835



Vanity Base Pullout, 35" High, 9" Wide, 21" Deep

VBP0935



NOTES ✓

- ▶ Features a wood pullout unit with adjustable shelves, chrome rail sides, and Full Extension guides.
- ▶ Nantucket and Grayson VBP0935 cabinet doors utilize recessed center panels.



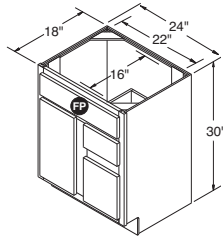
NOTES ✓

- ▶ FP = False Panel.
- ▶ It may be necessary to modify the corner braces/stretcher rails with some sink applications.
- ▶ 18" deep Vanities available in Standard construction only.

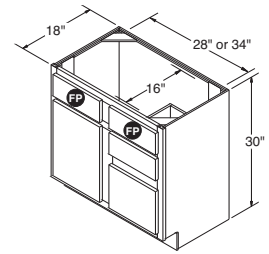
*Specify L or R for which side to locate door.

Vanity Door and Drawer Bases, 30" High, 18" Deep

VDD2418 *



VDD3018 *
VDD3618 *



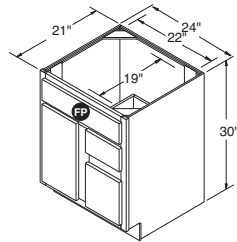
NOTES ✓

- ▶ FP = False Panel.
- ▶ It may be necessary to modify the corner braces/stretcher rails with some sink applications.

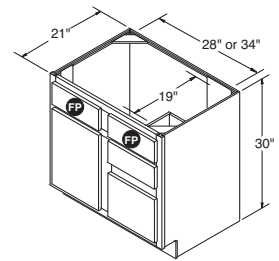
*Specify L or R for which side to locate door.

Vanity Door and Drawer Bases, 30" High, 21" Deep

VDD24^{FX} *



VDD30^{FX} *
VDD36^{FX} *



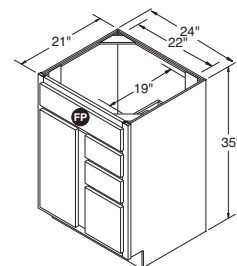
NOTES ✓

- ▶ FP = False Panel.
- ▶ It may be necessary to modify the corner braces/stretcher rails with some sink applications.

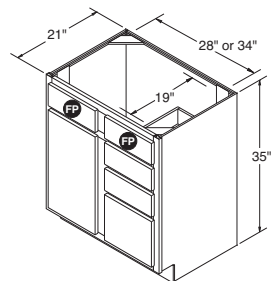
*Specify L or R for which side to locate door.

Vanity Door and Drawer Bases, 35" High, 21" Deep

VDD2435^{FX} *

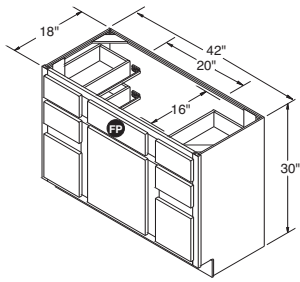


VDD3035^{FX} *
VDD3635^{FX} *

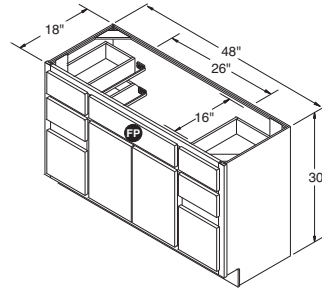


Vanity Double Drawer Bases, 30" High, 18" Deep

Vddb4218



Vddb4818

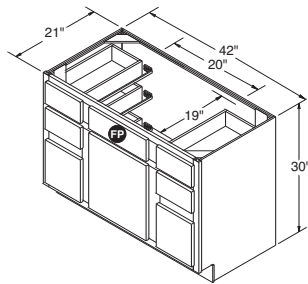


NOTES ✓

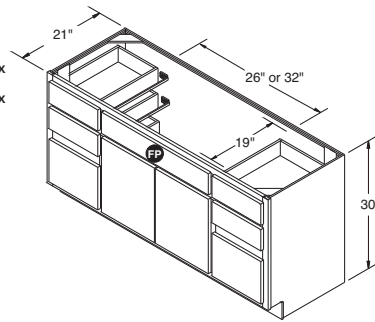
- ▶ FP = False Panel.
- ▶ 18" deep Vanities available in Standard construction only.
- ▶ Vddb4818 has butt doors on all door styles.

Vanity Double Drawer Bases, 30" High, 21" Deep

Vddb42^{FX}



Vddb48^{FX}
Vddb60^{FX}

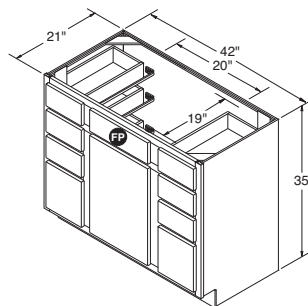


NOTES ✓

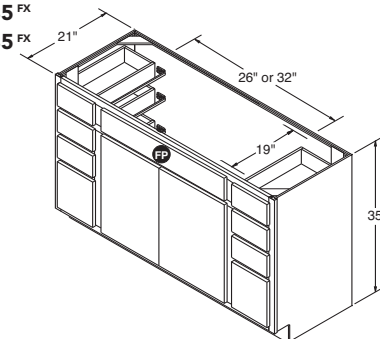
- ▶ FP = False Panel.
- ▶ Vddb48 and Vddb60 have butt doors on all door styles.

Vanity Double Drawer Bases, 35" High, 21" Deep

Vddb4235^{FX}



Vddb4835^{FX}
Vddb6035^{FX}



NOTES ✓

- ▶ FP = False Panel.
- ▶ Vddb4835 and Vddb6035 have butt doors on all door styles.

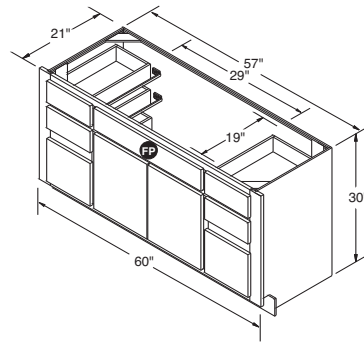
NOTES ✓

- ▶ FP = False Panel.
- ▶ Cabinet is 57" wide.
- ▶ Front frame is 60" wide.
- ▶ Front end rails are each 3" and can be trimmed to 1 1/2".
- ▶ VDDBT60 has butt doors on all door styles.

★Not available in full overlay door styles.

Trimmable Vanity Double Drawer Base, 30" High, 60" Wide, 21" Deep

VDDBT60^{FX} ★

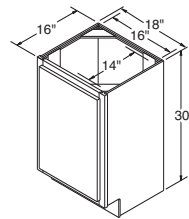


NOTES ✓

- ▶ 16" wide and 14" deep space for sink opening.
- ▶ One full height door.
- ▶ It may be necessary to modify the corner braces/stretcher rails with some sink applications.

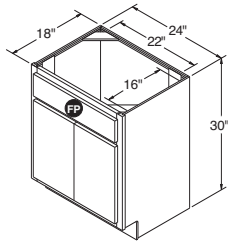
Vanity Sink Base, 30" High, 18" Wide, 16" Deep

VSB1816

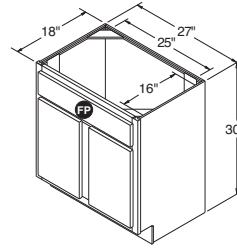


Vanity Sink Bases, 30" High, 18" Deep

VSB2418



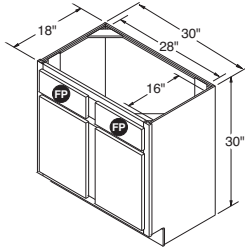
VSB2718



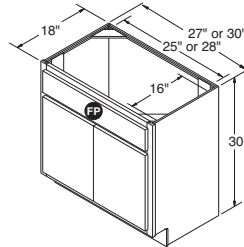
NOTES ✓

- ▶ FP = False Panel.
- ▶ It may be necessary to modify the corner braces/stretcher rails with some sink applications.
- ▶ 18" deep Vanities available in Standard construction only.
- ▶ VSB2418 has butt doors on all door styles.
- See page 10 for butt door style availability chart.

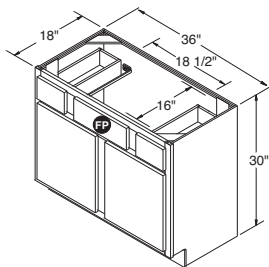
VSB3018



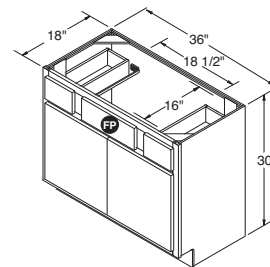
VSB2718B ■ *New*
VSB3018B ■ *New*



VSB3618



VSB3618B ■ *New*

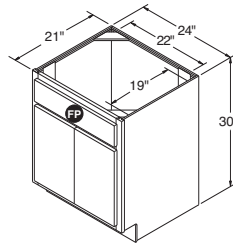


NOTES ✓

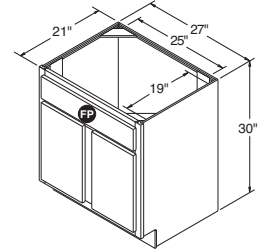
- ▶ FP = False Panel.
- ▶ It may be necessary to modify the corner braces/stretcher rails with some sink applications.
- ▶ VSB24 has butt doors on all door styles.
- See page 10 for butt door style availability chart.

Vanity Sink Bases, 30" High, 21" Deep

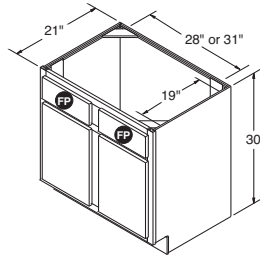
VSB24



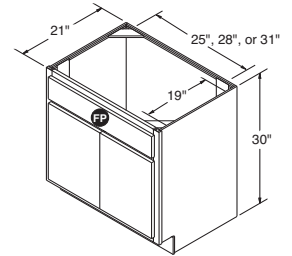
VSB27



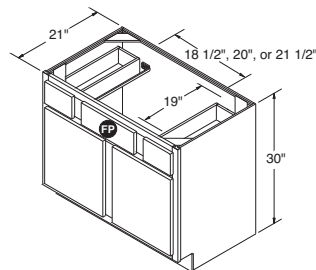
VSB30
VSB33



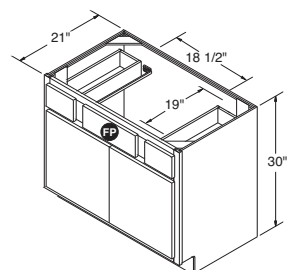
VSB27B ■ *New*
VSB30B ■ *New*
VSB33B ■ *New*



VSB36^{FX}
VSB39^{FX}
VSB42^{FX}



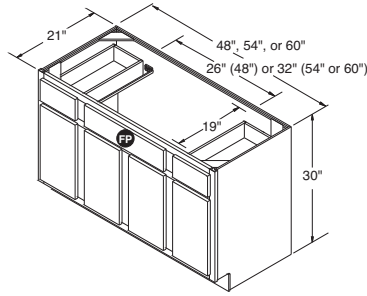
VSB36B^{FX} ■ *New*



Continued on next page.

Vanity Sink Bases, 30" High, 21" Deep (continued)

VSB48^{FX}
VSB54^{FX}
VSB60^{FX}

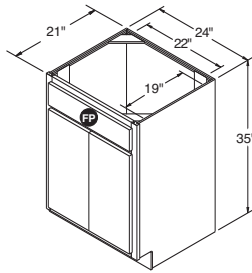


NOTES ✓

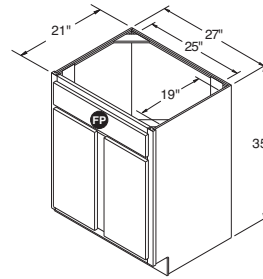
- ▶ FP = False Panel.
- ▶ It may be necessary to modify the corner braces/stretcher rails with some sink applications.

Vanity Sink Bases, 35" High, 21" Deep

VSB2435



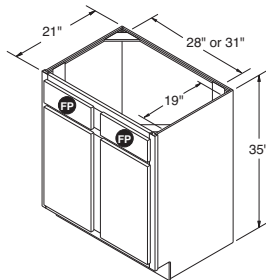
VSB2735



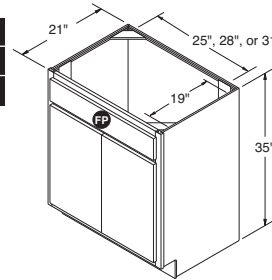
NOTES ✓

- ▶ FP = False Panel.
- ▶ It may be necessary to modify the corner braces/stretcher rails with some sink applications.
- ▶ VSB2435 has butt doors on all door styles.
- See page 10 for butt door style availability chart.

VSB3035
VSB3335



VSB2735B ■ *New*
VSB3035B ■ *New*
VSB3335B ■ *New*



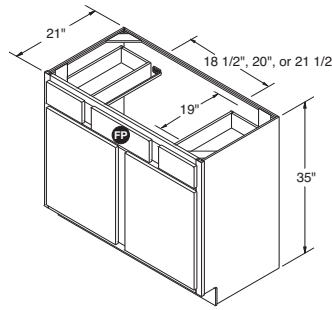
Continued on next page.

NOTES ✓

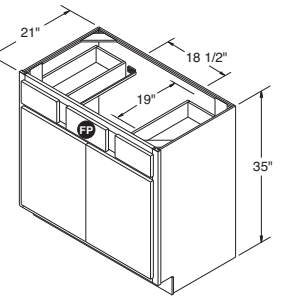
- ▶ FP = False Panel.
- ▶ It may be necessary to modify the corner braces/stretcher rails with some sink applications.
- See page 10 for butt door style availability chart.

Vanity Sink Bases, 35" High, 21" Deep (continued)

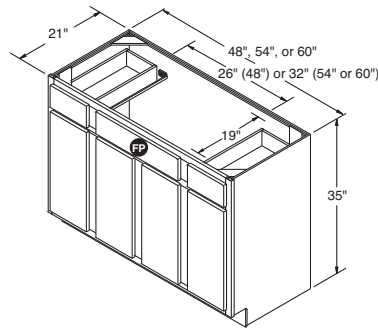
VS3635^{FX}
VS3935^{FX}
VS4235^{FX}



VS3635B^{FX} ■ *New*



VS4835^{FX}
VS5435^{FX}
VS6035^{FX}



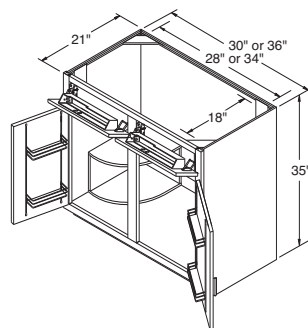
NOTES ✓

- ▶ Reversible Shelf will be constructed from 3/4" thick laminated furniture board. Shelf shipped secure, can be positioned in left or right corner.
- ▶ Both doors will have a chrome and wood two-tiered rack that is 3 1/4" deep.
- ▶ Includes two installed tip-out trays in false fronts.
- ▶ Quarter round shelf will be natural maple laminate for all styles, including White styles.
- See page 10 for butt door style availability chart.

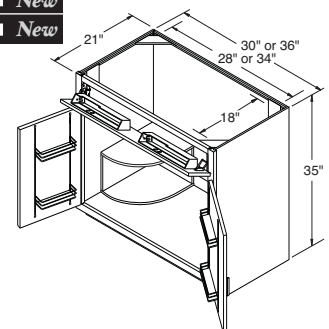


Vanity Sink Base SuperCabinets™, 35" High, 21" Deep

VS3035STS
VS3635STS

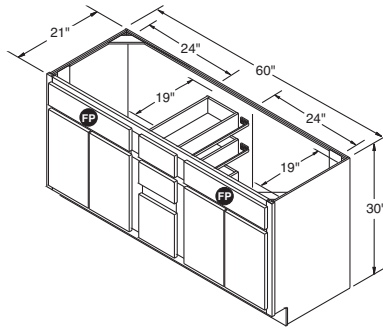


VS3035STSB ■ *New*
VS3635STSB ■ *New*



Vanity Sink Drawer Base, 30" High, 60" Wide, 21" Deep

VSDB60 ^{FX}

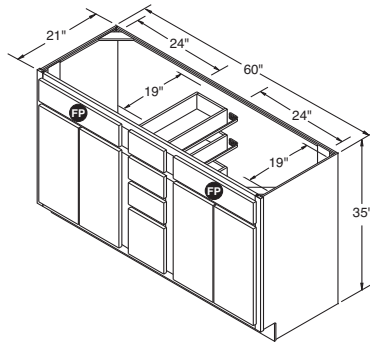


NOTES ✓

- ▶ FP = False Panel.
- ▶ Four doors (two butt each end), three center drawers, two false drawer fronts, 24" wide (each side) and 19" deep space for sink opening (each side).
- ▶ It may be necessary to modify the corner braces/stretcher rails with some sink applications.

Vanity Sink Drawer Base, 35" High, 60" Wide, 21" Deep

VSDB6035 ^{FX}

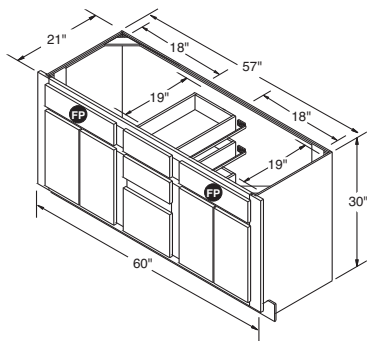


NOTES ✓

- ▶ FP = False Panel.
- ▶ Four doors (two butt each end), four center drawers, two false drawer fronts, 24" wide (each side) and 19" deep space for sink opening (each side).
- ▶ It may be necessary to modify the corner braces/stretcher rails with some sink applications.

Trimmable Vanity Sink Drawer Base, 30" High, 60" Wide, 21" Deep

VSDBT60 ^{FX} ★



NOTES ✓

- ▶ FP = False Panel.
- ▶ Four doors (two butt each end), three center drawers, two false drawer fronts, 18" wide (each side) and 19" deep space for sink opening (each side).
- ▶ Cabinet is 57" wide.
- ▶ Front frame is 60" wide.
- ▶ Front end rails are each 3" and can be trimmed 1 1/2" each.

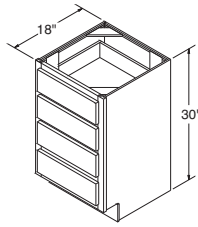
★Not available in full overlay door styles.

NOTES ✓

- ▶ 18" deep Vanities available in Standard construction only.

Vanity Four Drawer Bases, 30" High, 18" Deep

VDB1218-4
VDB1518-4
VDB1818-4

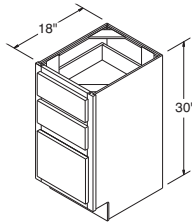


NOTES ✓

- ▶ The bottom drawer box is 6 3/8" high for Standard and 8" high for Select and APC.
- ▶ 18" deep Vanities available in Standard construction only.

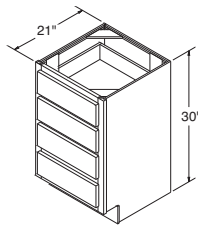
Vanity Three Drawer Bases, 30" High, 18" Deep

VDB1218
VDB1518
VDB1818



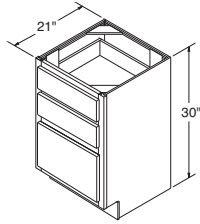
Vanity Four Drawer Bases, 30" High, 21" Deep

VDB12-4^{FX}
VDB15-4^{FX}
VDB18-4^{FX}
VDB21-4^{FX}
VDB24-4^{FX}



Vanity Three Drawer Bases, 30" High, 21" Deep

- VDB12^{FX}
- VDB15^{FX}
- VDB18^{FX}
- VDB21^{FX}
- VDB24^{FX}

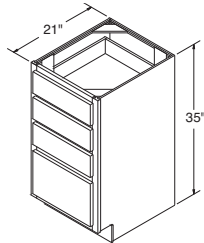


NOTES ✓

- ▶ The bottom drawer box is 6 3/8" high for Standard and 7 3/4" high for Select and APC.

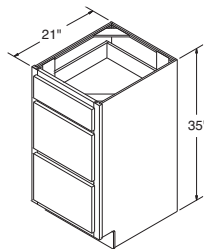
Vanity Four Drawer Bases, 35" High, 21" Deep

- VDB1235-4^{FX}
- VDB1535-4^{FX}
- VDB1835-4^{FX}
- VDB2135-4^{FX}
- VDB2435-4^{FX}



Vanity Three Drawer Bases, 35" High, 21" Deep

- VDB1235^{FX}
- VDB1535^{FX}
- VDB1835^{FX}
- VDB2135^{FX}
- VDB2435^{FX}



NOTES ✓

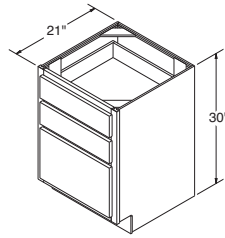
- ▶ The bottom drawer box is 6 3/8" high for Standard and 7 3/4" high for Select and APC.

NOTES ✓

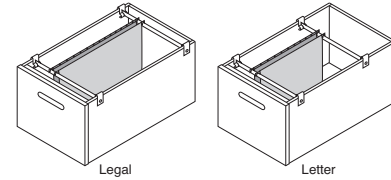
- ▶ The bottom drawer box is deep for standard letter and legal documents and includes two adjustable hanging rods and four hanging clips.
- ▶ Bottom file drawer has 3/4 extension guides. FX is recommended for use with legal documents for sufficient access and removal of folders.
- ▶ Interior dimension for undermount file drawer is:
 VFD18 – 13 1/16" W x 16 5/8" D x 9 1/4" H.
 VFD21 – 16 1/16" W x 16 5/8" D x 9 1/4" H.
- ▶ Interior dimension for standard file drawer is:
 VFD18 – 12 31/32" W x 19" D x 9 5/8" H.
 VFD21 – 15 31/32" W x 19" D x 9 5/8" H.

Vanity File Drawers, 30" High, 21" Deep

VFD18^{FX}
VFD21^{FX}



Standard/Select & APC

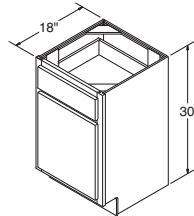


NOTES ✓

- ▶ Half-depth fixed shelf.
- ▶ 18" deep Vanities available in Standard construction only.

Vanity Bases, 30" High, 18" Deep

VB1218
VB1518
VB1818



NOTES ✓

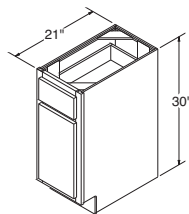
- ▶ Half-depth fixed shelf.
- ▶ VB24 has butt doors on all door styles.

Vanity Bases, 30" High, 21" Deep

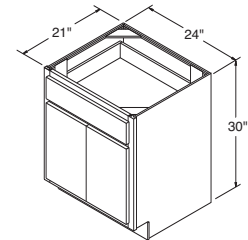
Single Door

Double Door

VB12^{FX}
VB15^{FX}
VB18^{FX}



VB24^{FX}

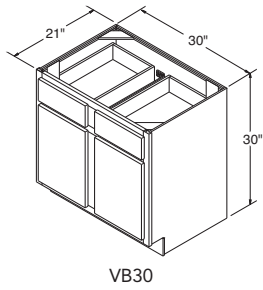


Continued on next page.

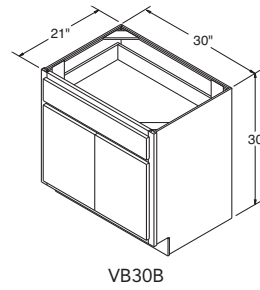
Vanity Bases, 30" High, 21" Deep (continued)

Double Door

VB30^{FX}



VB30B^{FX} ■ *New*



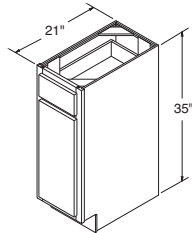
NOTES ✓

- ▶ Half-depth fixed shelf.
- See page 10 for butt door style availability chart.

Vanity Bases, 35" High, 21" Deep

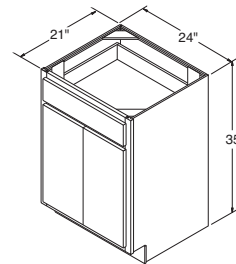
Single Door

VB1235^{FX}
VB1535^{FX}
VB1835^{FX}



Double Door

VB2435^{FX}

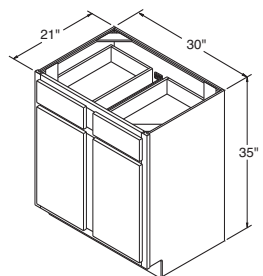


NOTES ✓

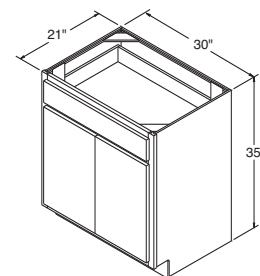
- ▶ Half-depth fixed shelf.
- ▶ VB2435 has butt doors on all door styles.
- See page 10 for butt door style availability chart.

Double Door

VB3035^{FX}



VB3035B^{FX} ■ *New*



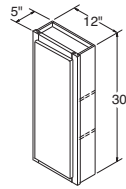
NOTES ✓

- ▶ Two adjustable 1/2" thick shelves.
- ▶ Must be surface mounted.
- ▶ Only available in Standard Construction.

*Specify L or R on all Arch styles. Doors will be Arch when ordering these styles.

Vanity Wall Cabinet, 30" High, 12" Wide, 5" Deep

VWC12 *



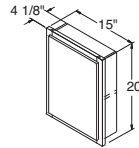
NOTES ✓

- ▶ Must be recess mounted.
- ▶ Cut out dimensions: 13 5/8" W x 18 5/8" H x 3 3/8" D
- ▶ Only available in Standard Construction.
- ▶ Includes fixed shelf.

*Specify L or R on all Arch styles. Doors will be Arch when ordering these styles.

Vanity Wall Cabinet, 20" High, 15" Wide, 4 1/8" Deep

VWC1520 *

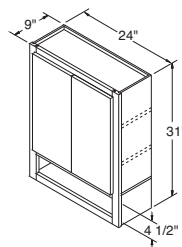


NOTES ✓

- ▶ Interior color is the same as exterior color.
- ▶ Two butt doors, open shelf.
- ▶ Two adjustable 3/4" thick shelves.
- ▶ Not available on Briarcliff Arch, Eastland Arch, or Nantucket Arch.
- ▶ Includes plastic U-shaped hinge spacers for better door alignment.
- ▶ Only available in Standard Construction.

Vanity Tank Topper, 31" High, 24" Wide, 9" Deep

VTT24

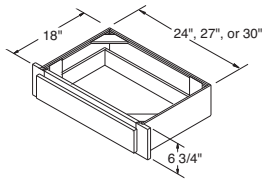


Vanity Drawers Trimmable, 18" Deep (Trimmable 3")

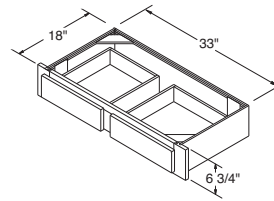
Single Drawer

Double Drawer

VDT2718
VDT3018
VDT3318



VDT3618



NOTES ✓

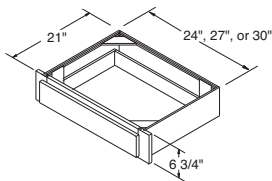
- ▶ Cabinets may not feature matching exterior laminate, so installation between two adjacent cabinets, walls, and/or panels is recommended.
- ▶ Face frame trimmable 3" overall, 1 1/2" on each side.
- ▶ 18" deep Vanity drawers available in Standard construction only.

Vanity Drawers Trimmable, 21" Deep (Trimmable 3")

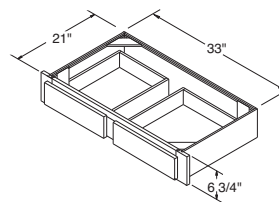
Single Drawer

Double Drawer

VDT27^{FX}
VDT30^{FX}
VDT33^{FX}



VDT36^{FX}

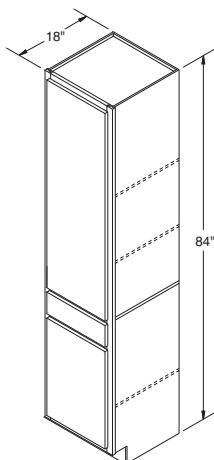


NOTES ✓

- ▶ Cabinets may not feature matching exterior laminate, so installation between two adjacent cabinets, walls, and/or panels is recommended.
- ▶ Face frame trimmable 3" overall, 1 1/2" on each side.

Linen Closets with Drawer, 84" High, 18" Deep

LCD1818 *
LCD2418 *



NOTES ✓

- ▶ Two doors and one drawer.
- ▶ Top door will be an Arch in applicable styles.
- ▶ Upper doors cannot be cut for glass.
- ▶ Includes adjustable shelves, two in top section, one in bottom section and one fixed shelf.
- ▶ Drawer front height aligns with standard 35" Base cabinet drawer front.
- ▶ Large openings on miter door styles will be two doors dovetailed together.
- ▶ 18" deep Vanities available in Standard construction only.

★Specify L or R on all styles.



NOTES ✓

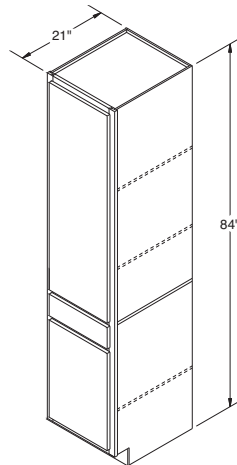
- ▶ Two doors and one drawer.
- ▶ Top door will be an Arch in applicable styles.
- ▶ Upper doors cannot be cut for glass.
- ▶ Includes adjustable shelves, two in top section, one in bottom section and one fixed shelf.
- ▶ Drawer front height aligns with standard 35" Base cabinet drawer front.
- ▶ Large openings on miter door styles will be two doors doweled together.

*Specify L or R on all styles.



Linen Closets with Drawer, 84" High, 21" Deep

LCD18 *
LCD24 *



NOTES ✓

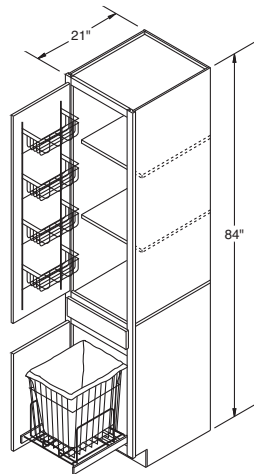
- ▶ Two doors and one drawer.
- ▶ Top door will be an Arch in applicable styles.
- ▶ Upper doors cannot be cut for glass.
- ▶ Includes two adjustable shelves and 5" deep chrome door rack.
- ▶ Drawer front height aligns with standard 35" Base cabinet drawer front.
- ▶ Large openings on miter door styles will be two doors doweled together.
- ▶ Includes Full Extension removable chrome pullout Hamper with removable cloth liner.

*Specify L or R on all styles.



Linen Closet SuperCabinet™ with Removable Hamper, 84" High, 21" Deep

LCD18SC PK



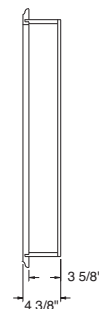
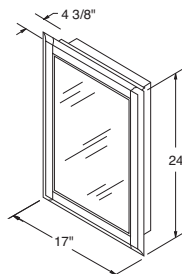
NOTES ✓

- ▶ Interior of cabinet is white for all styles.
- ▶ One mirrored door with Oak, Cherry, Hickory, or Maple frame.
- ▶ Can be surface or recess mounted.
- ▶ Box made of white formed plastic.
- ▶ Includes two adjustable shelves and one adjustable toothbrush shelf (plastic).
- ▶ Cabinet is reversible.
- ▶ Cut out for recess:
14 1/4" W x 2 1/4" D x 21" H.



Vanity Medicine Cabinet, 24" High, 17" Wide, 4 3/8" Deep

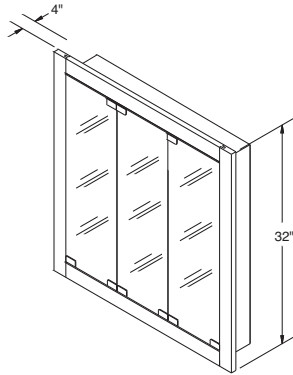
VMC1724



SIDE VIEW

Vanity Tri-View Medicine Cabinets, 32" High, 4" Deep

VTMC2432
VTMC3032
VTMC3632
VTMC4832



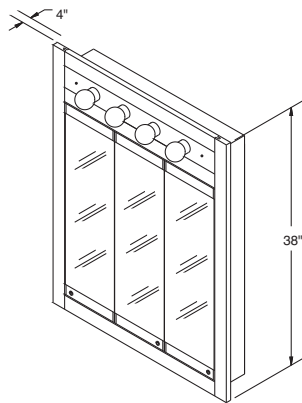
NOTES ✓

- ▶ Three mirrored doors.
- ▶ Solid wood face frame.
- ▶ Can be surface or recess mounted.
- ▶ Chrome touch latches and hinges are used on doors.
- ▶ Box exterior matches face frame.
- ▶ Three fixed shelves.
- ▶ Cut out for recess:
VTMC2432 – 21 5/8" W x 3 15/16" D x 29 3/8" H.
VTMC3032 – 27 5/8" W x 3 15/16" D x 29 3/8" H.
VTMC3632 – 33 5/8" W x 3 15/16" D x 29 3/8" H.
VTMC4832 – 45 5/8" W x 3 15/16" D x 29 3/8" H.



Vanity Tri-View Medicine Cabinets/Light Bar Combinations (Contemporary), 4" Deep

VTVLB30
VTVLB36

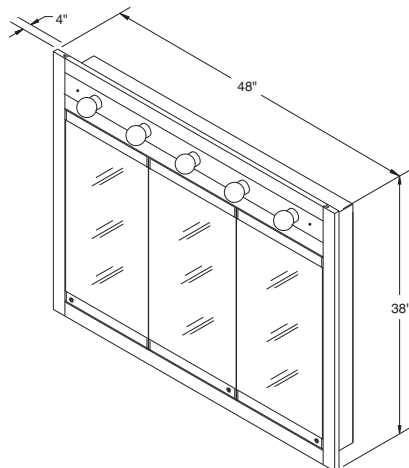


NOTES ✓

- ▶ Can be surface or recess mounted.
- ▶ Predrilled for Pulls.
- ▶ Includes solid wood face frame, wood veneer back plate, polished brass plated light cups, three polished brass plated Pulls, two brass nuts, and three mirror doors with solid wood trim.
- ▶ Three fixed shelves.
- ▶ VTVLB30 and VTVLB36 have four lights.
- ▶ VTVLB48 has five lights.
- ▶ Chrome light cup can be used to replace the standard polished brass light cups on the contemporary light bars in order to match faucet or bathroom trim decor. See LBCC on page 150.
- ▶ 60W bulbs required (not included).
- ▶ UL approved.
- ▶ Cut out for recess:
VTVLB30 – 27 9/16" x 35 7/8".
VTVLB36 – 33 9/16" x 35 7/8".
VTVLB48 – 45 9/16" x 35 7/8".
- ▶ Wiring for electrical connection extends from the back of light bars.



VTVLB48



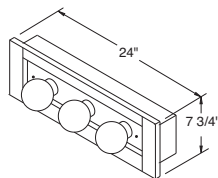
NOTES ✓

- ▶ Light bars can be recess mounted.
- ▶ When recessed, light fixture protrudes approximately 1/2" from the wall.
- ▶ Includes solid wood trim with matching wood back plate and polished brass plated light cups.
- ▶ Light box is unfinished metal.
- ▶ Chrome light cups are available and can be used to replace the standard polished brass light cups on the contemporary light bars in order to match faucet or bathroom trim decor. See LBCC on page 150.
- ▶ 60W bulbs required (not included).
- ▶ UL approved.
- ▶ Cut out for recess:
 VCLB24 – 20 1/4" W x 4 3/8" H x 3 15/16" D.
 VCLB30 – 26 1/4" W x 4 3/8" H x 3 15/16" D.
 VCLB36 – 32 1/4" W x 4 3/8" H x 3 15/16" D.
 VCLB48 – 44 1/4" W x 4 3/8" H x 3 15/16" D.
- ▶ Wiring for electrical connection extends from the back of light bars.

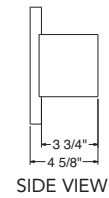


Vanity Light Bars (Contemporary)

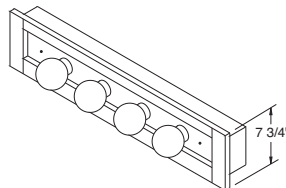
VCLB24
VCLB30
VCLB36
VCLB48



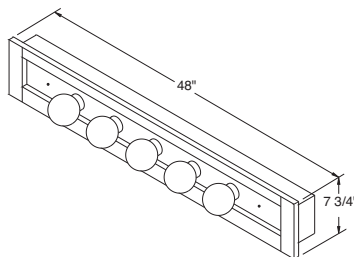
VCLB24



SIDE VIEW



VCLB30 & VCLB36



VCLB48

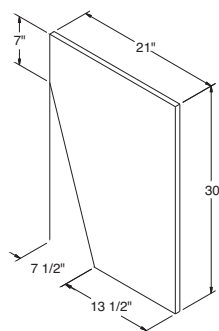
NOTES ✓

- ▶ 3/4" thick.
- ▶ Veneer panel with front edge banded.



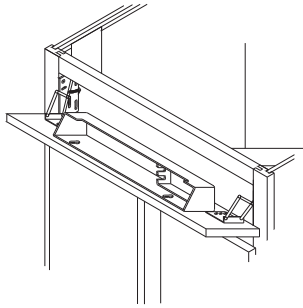
Vanity Tapered End Panel, 30" High, 21" Deep

VTEP



Lavatory Tip-Out Trays

LTOT11
LTOT14

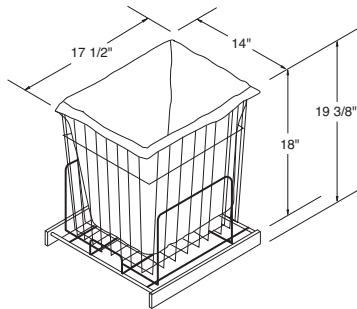


NOTES ✓

- ▶ White plastic storage accessory tray.
- ▶ Kit includes two hinges for installation.
- ▶ If LTOTs are used on full overlay style, it is recommended that a Pull be used.
- ▶ See matrix on page 151 to determine which cabinets LTOT will fit.
- ▶ Order under style #010.
- ▶ LTOT11 is 11" (White).
- ▶ LTOT14 is 14" (White).

Vanity Hamper

VHR18



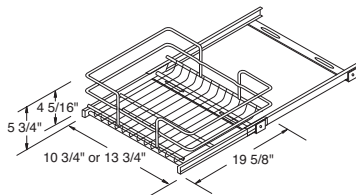
NOTES ✓

- ▶ Full Extension removable chrome pullout Hamper with removable cloth liner.
- ▶ See matrix on page 151 to determine which cabinets VHR18 will fit.
- ▶ Order under style #010.



Vanity Chrome Roll Out Racks

VCRR1521
VCRR1821



NOTES ✓

- ▶ Roll Out is Full Extension.
- ▶ Requires installation to a fixed shelf or cabinet bottom in a 21" or 24" deep cabinet.
- ▶ See matrix on page 151 to determine which cabinets VCRR1521 or VCRR1821 will fit.
- ▶ Order under style #010.



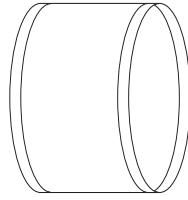
NOTES ✓

- ▶ Chrome light cup can be used to replace the standard polished brass light cups on the contemporary light bars in order to match faucet or bathroom trim decor.
- ▶ One chrome nut included with each chrome cup for use on back plate attachment.
- ▶ Order under style #010.



Optional Chrome Cup for Contemporary Vanity Light Bars

LBCC



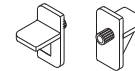
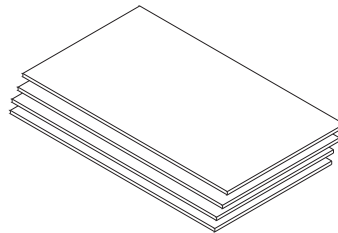
NOTES ✓

- ▶ Four shelves with clips.
- ▶ Shelves can be trimmed to accommodate 18" deep linen closets.
- ▶ Natural maple laminate or specify LKS_ _WH to match white interiors.
- ▶ Order under style #010.
- ▶ Dimensions:
 LKS18/LKS18WH – 1/2" T x 16 1/2" W x 20 3/16" D.
 LKS24/LKS24WH – 1/2" T x 22 1/2" W x 20 3/16" D.
 LKS18C/LKS18CWH – 3/4" T x 16 1/2" W x 20 3/16" D.
 LKS24C/LKS24CWH – 3/4" T x 22 1/2" W x 20 3/16" D.



Linen Closet Shelf Kits

LKS18
LKS18WH
LKS24
LKS24WH
LKS18C
LKS18CWH
LKS24C
LKS24CWH



VANITY ACCESSORY MATRIX

Cabinet	LTOT11	LTOT14	VHR18	VCRR1521	VCRR1821	Cabinet	LTOT11	LTOT14	VHR18	VCRR1521	VCRR1821
LCD1818	•	•	•	•	•	VDDB6035			P		
LCD2418	•	•	•	•	•	VDDBT60			•		
LCD18	•	•				VSDB2418			•	•	•
LCD24	•	•				VSDB2718			•	•	•
LCD18SC	•	•	S	•	•	VSDB2718B			•	•	•
VB1218	•	•	•	•	•	VSDB3018	*	•	•	•	•
VB1518	•	•	•	•	•	VSDB3018B	*	•	•	•	•
VB1818	•	•	•	•	•	VSDB3618		*	•	•	•
VB12	•	•	•	•	•	VSDB3618B		*	•	•	•
VB15	•	•	•	*	•	VSDB24		*	•		*
VB18	•	•	•		*	VSDB27		*	•	•	•
VB24	•	•	•			VSDB27B		*	•	•	•
VB30	•	•	•		•	VSDB30		•	•		•
VB30B	•	•	•		•	VSDB30B		*	•		•
VB1235	•	•	•	•	•	VSDB33		•	•		•
VB1535	•	•	•	*	•	VSDB33B		*	•		•
VB1835	•	•	H		*	VSDB36		•	•		
VB2435	•	•	H			VSDB36B		•	•		
VB3035	•	•	•		•	VSDB39			•		
VB3035B	•	•	H		•	VSDB42			•		
VCB36		*	•			VSDB48			•	•	•
VCB36B		*	•			VSDB54			•		•
VCB42			•			VSDB60			•		•
VCB48			•	•	•	VSDB2435			P		
VCB3635		*	P			VSDB2735			•	•	•
VCB3635B		*	P			VSDB2735B			P		
VCB4235			P			VSDB3035		•	•	*	•
VCB4835			•	•	•	VSDB3035B		*	P	*	
VDD2418			•	•	•	VSDB3335		•	•		•
VDD3018		•	•	•	•	VSDB3335B		*	P		
VDD3618		*	•	•	•	VSDB3635		•	P		*
VDD24		*	•	•	•	VSDB3635B		*	P		*
VDD30		•	•	*	•	VSDB3935			P		
VDD36		*	•		*	VSDB4235			P		
VDD2435		*	•		•	VSDB4835			•	•	•
VDD3035		•	•	*	•	VSDB5435			•		•
VDD3635		*	P		*	VSDB6035			•		•
VDDB4218			•	•	•	VSDB3035STS	S	•	•	•	•
VDDB4818			•	•	•	VSDB3035STSB	S	•	•	•	•
VDDB42			•			VSDB3635STS	•	S	•	•	•
VDDB48			•			VSDB3635STSB	•	S	•	•	•
VDDB60			•			VSDB60			•		
VDDB4235			•			VSDB6035			P		
VDDB4835			P			VSDBT60		*	•		

NOTES ✓

▶ On Sink Base Cabinets, the location of plumbing should be checked prior to installation of storage accessory.

KEY

- H** Must remove half-depth shelf
- I** Can be installed without modification to cabinet.
- P** Location of plumbing should be checked prior to installation of storage accessory.
- S** Standard.
- *** Recommended.
- Not applicable.